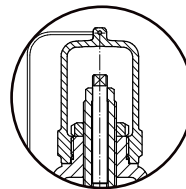
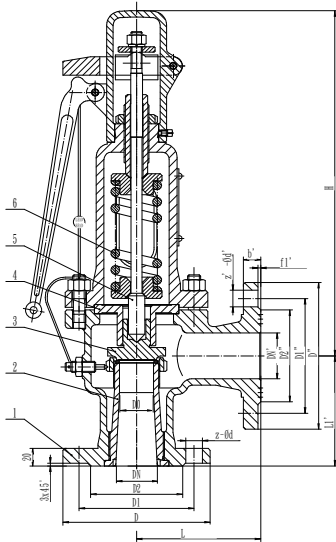


HSD

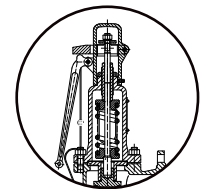
series

Válvula de Seguridad Elevacion Baja

- Tamano: 1"(DN25) to 8"(DN200)
- Presion de Trabajo: 0.3 to 40 bar
- Temp. de Trabajo: -29°C to 350°C
- Conexion Standard: ANSI/JIS/PN.....etc.



HSD42



HSD43

ITEM	PARTS	MATERIAL	
		HSL42	HSL43
1	BODY	SS304 / SS316 / SUS420 / 2205 DUPLEX STAINLESS STEEL	
2	SEAT	SS304 / SS316 / SUS420 / 2205 DUPLEX STAINLESS STEEL	
3	DISC	SS304 / SS316 / SUS420 / 2205 DUPLEX STAINLESS STEEL	
4	STEM	SS304 / SS316 / SUS420 / 2205 DUPLEX STAINLESS STEEL	
5	SPRING	INCONEL X-750 / 50CRVA	
6	LEVER	-	SS304

DIMENSIONS (MM)						
P1 INLET	P2 OUTLET	D ORIFICE DIAMETER	A ORIFICE AREA (MM ²)	LIFT	L1	L2
1"	1"	20	314.0	1	100	85
1-1/4"	1-1/4"	25	490.6	1.25	115	100
1 1/2"	1 1/2"	32	803.8	1.6	120	110
2"	2"	40	1256.0	2	135	120
2 1/2"	2 1/2"	50	1962.5	2.5	145	130
3"	3"	65	3316.6	3.25	160	135
4"	4"	80	5024.0	4	170	160
5"	5"	100	7850.0	5	190	180
6"	6"	125	12265.6	6.25	205	195
8"	8"	150	17662.5	7.5	240	230